



# U3010 (UI 30/10,5)

6VA - Ta40°C

5VA - Ta70°C

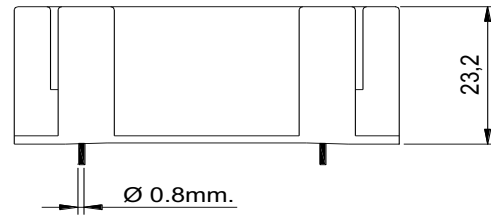
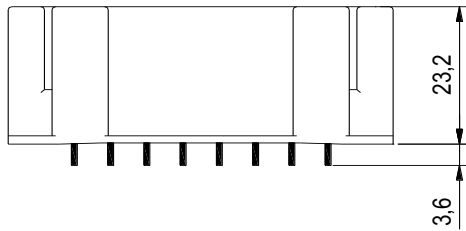


www.efiter.com

weight - 190gr.

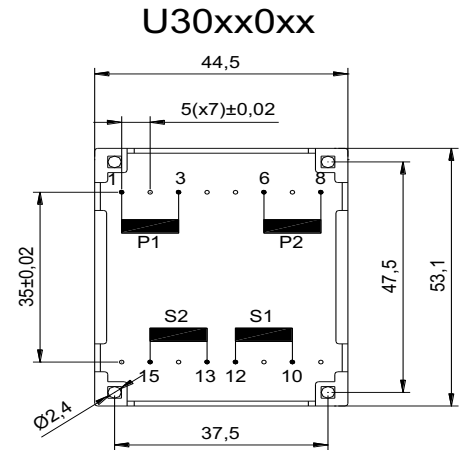
## ENCAPSULATED TRANSFORMERS

According EN61558, EN60590, EN60472, UL506, UL1585, UL5085 - External protection



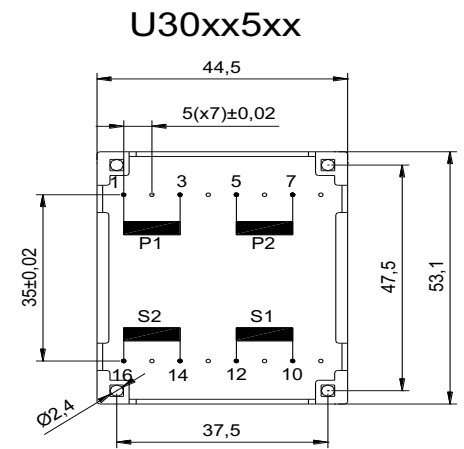
### 6VA. Ta40B

HR REFERENCE		Vo/Vsec=1,4 Vo → Is=0 Vsec → Isec=In		Prot. Prim. 230V: 50mA/T 115V: 100mA/T
U30100xx	U30105xx	Vsec	Isec	Prot. Sec. mA/F
U3010007	U3010507	2x4,5V	2x666mA	2x800mA
U3010000	U3010500	2x6V	2x500mA	2x630mA
U3010001	U3010501	2x7,5V	2x400mA	2x500mA
U3010002	U3010502	2x9V	2x333mA	2x240mA
U3010003	U3010503	2x12V	2x250mA	2x315mA
U3010004	U3010504	2x15V	2x200mA	2x250mA
U3010005	U3010505	2x18V	2x166mA	2x200mA
U3010006	U3010506	2x24V	2x125mA	2x160mA

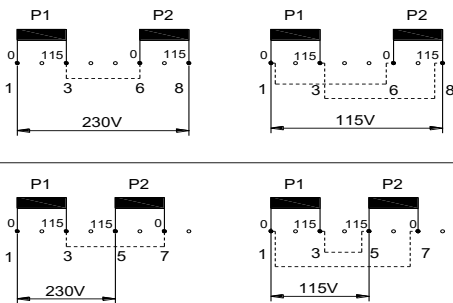


### 5VA. Ta70B

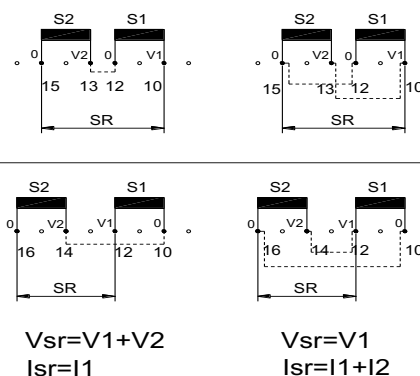
HR REFERENCE		Vo/Vsec=1,4 Vo → Is=0 Vsec → Isec=In		Prot. Prim. 230V: 50mA/T 115V: 100mA/T
U30100xx	U30105xx	Vsec	Isec	Prot. Sec. mA/F
U3010057	U3010557	2x4,5V	2x555mA	2x630mA
U3010050	U3010550	2x6V	2x416mA	2x500mA
U3010051	U3010551	2x7,5V	2x333mA	2x400mA
U3010052	U3010552	2x9V	2x277mA	2x315mA
U3010053	U3010553	2x12V	2x208mA	2x250mA
U3010054	U3010554	2x15V	2x166mA	2x200mA
U3010055	U3010555	2x18V	2x138mA	2x160mA
U3010056	U3010556	2x24V	2x104mA	2x125mA



#### Primary connections



#### Secondary connections



U30100xx

U30105xx

$$V_{sr} = V1 + V2$$

$$I_{sr} = I1$$

$$V_{sr} = V1$$

$$I_{sr} = I1 + I2$$

According EN61558, EN60590, EN60472, UL506, UL1585, UL5085.