



# TOROIDAL TRANSFORMERS T300 3000VA 40°C/B



[www.efiter.com](http://www.efiter.com)

[home>>index](#)

According EN61558, EN60590, EN60472, UL506, UL1585, UL5085 · External protection

## TECHNICAL SPECIFICATIONS

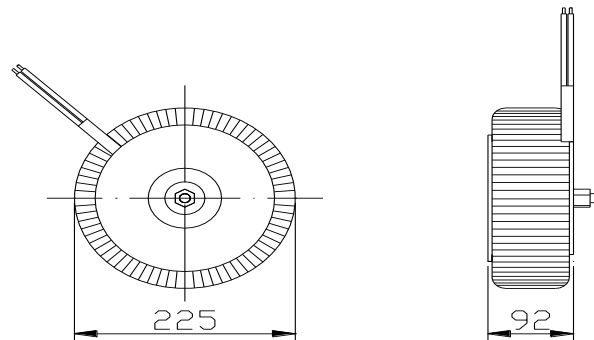
- Power 3000VA 40°C/B
- Configuration of primary/secondary single, dual or multiple allow get any required
- The toroidal transformers have a lot more advantages than the conventional and encapsulated ones
- Their use is highly recommended due to their improvements in radiation,
- Designed and manufactured according regulations EN61558-1
- Double isolation copper wire
- Ambient temperature of 40°C/104°F
- Magnetic core of grain-oriented silicon steel
- Superior isolation at 5M at 500 Vdc
- Primary Dielectric strength / superior secondary at 3 KV , 1min.
- The wide range of HR toroidal transformers goes from 8VA to 20KVA.
- Winding identification for colour references

## ELECTRICAL CHARACTERISTICS

POWER	Series	PRIMARY 230V 50/60Hz	Wheight
		SINGLE SECONDARY (-- ) V.	
3000VA	REF	Customized	19.6
	Is-A		

POWER	Series	PRIMARY 230V 50/60Hz	Wheight
		DUAL SECONDARY 2 X(-- ) V.	
3000VA	REF	Customized	19.6
	Is-A		

## MECHANICAL INFORMATION



dim are mm