



# TOROIDAL TRANSFORMERS T100 1000VA 40°C/B



[www.efiter.com](http://www.efiter.com)

[home>>index](#)

According EN61558, EN60590, EN60472, UL506, UL1585, UL5085 - External protection

## TECHNICAL SPECIFICATIONS

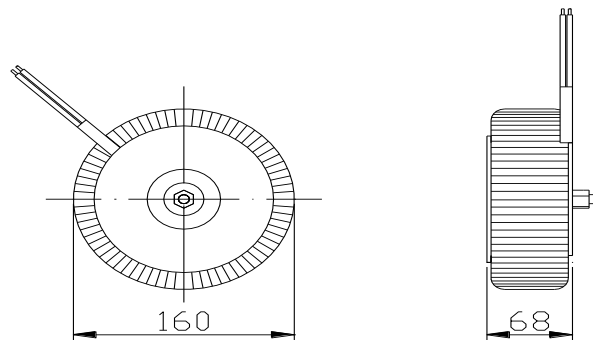
- Power 1000VA 40°C/B
- Configuration of primary/secondary single, dual or multiple allow get any required
- The toroidal transformers have a lot more advantages than the conventional and encapsulated ones
- Their use is highly recommended due to their improvements in radiation,
- Designed and manufactured according regulations EN61558-1
- Double isolation copper wire
- Ambient temperature of 40°C/104°F
- Magnetic core of grain-oriented silicon steel
- Superior isolation at 5M at 500 Vdc
- Primary Dielectric strength / superior secondary at 3 KV , 1min.
- The wide range of HR toroidal transformers goes from 8VA to 20KVA.
- Winding identification for colour references

## ELECTRICAL CHARACTERISTICS

| POWER  | Series | PRIMARY 230V 50/60Hz     |           |           |           |  |  |  |  | Wheight<br>(kg) |
|--------|--------|--------------------------|-----------|-----------|-----------|--|--|--|--|-----------------|
|        |        | SINGLE SECONDARY (--) V. |           |           |           |  |  |  |  |                 |
|        |        | 60V                      | 80V       | 100V      | 120V      |  |  |  |  |                 |
| 1000VA | REF    | T 100 160                | T 100 180 | T 100 500 | T 100 520 |  |  |  |  | 6.92            |
|        | Is-A   | 16.6                     | 12.5      | 10        | 8.33      |  |  |  |  |                 |

| POWER  | Series | PRIMARY 230V 50/60Hz      |           |           |           |           |           |           |  | Wheight<br>(kg) |
|--------|--------|---------------------------|-----------|-----------|-----------|-----------|-----------|-----------|--|-----------------|
|        |        | DUAL SECONDARY 2 X(--) V. |           |           |           |           |           |           |  |                 |
|        |        | 2X30V                     | 2X35V     | 2X40V     | 2X50V     | 2X55V     | 2X60V     | 2X80V     |  |                 |
| 1000VA | REF    | T 100 230                 | T 100 235 | T 100 240 | T 100 250 | T 100 255 | T 100 260 | T 100 280 |  | 6.92            |
|        | Is-A   | 2x16.6                    | 2x14.28   | 2x12.5    | 2x10      | 2x9.09    | 2x8.33    | 2x6.25    |  |                 |

## MECHANICAL INFORMATION



dim are mm