



TOROIDAL TRANSFORMERS

T075 750VA 40°C/B



www.efiter.com

[home>>index](#)

According EN61558, EN60590, EN60472, UL506, UL1585, UL5085 · External protection

TECHNICAL SPECIFICATIONS

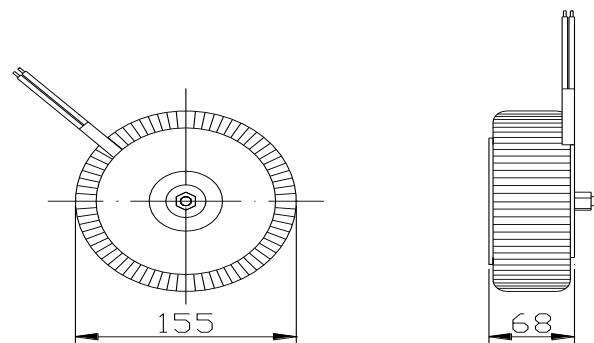
- Power 750VA 40°C/B
- Configuration of primary/secondary single, dual or multiple allow get any required
- The toroidal transformers have a lot more advantages than the conventional and encapsulated ones
- Their use is highly recommended due to their improvements in radiation,
- Designed and manufactured according regulations EN61558-1
- Double isolation copper wire
- Ambient temperature of 40°C/104°F
- Magnetic core of grain-oriented silicon steel
- Superior isolation at 5M at 500 Vdc
- Primary Dielectric strength / superior secondary at 3 KV , 1min.
- The wide range of HR toroidal transformers goes from 8VA to 20KVA.
- Winding identification for colour references

ELECTRICAL CHARACTERISTICS

POWER	Series	PRIMARY 230V 50/60Hz								Wheight (kg)
		SINGLE SECONDARY (--) V.								
		40V	60V	80V	100V					
750VA	REF	T 075 140	T 075 160	T 075 180	T 075 500					5.75
	Is-A	18.7	12.5	9.37	7.5					

POWER	Series	PRIMARY 230V 50/60Hz								Wheight (kg)
		DUAL SECONDARY 2 X(--) V.								
		2X24V	2X30V	2X35V	2X40V	2X50V	2X55V	2X60V		
750VA	REF	T 075 224	T 075 230	T 075 235	T 075 240	T 075 250	T 075 255	T 075 260		5.75
	Is-A	2x15.6	2x12.5	2x10.71	2x9.37	2x7.5	2x6.81	2x6.25		

MECHANICAL INFORMATION



dim are mm