



# TOROIDAL TRANSFORMERS

## T050 500VA 40°C/B



[www.efiter.com](http://www.efiter.com)

[home>>index](#)

According EN61558, EN60590, EN60472, UL506, UL1585, UL5085 · External protection

### TECHNICAL SPECIFICATIONS

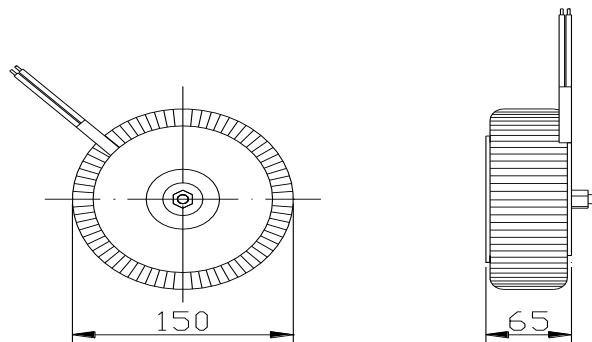
- Power 500VA 40°C/B
- Configuration of primary/secondary single, dual or multiple allow get any required
- The toroidal transformers have a lot more advantages than the conventional and encapsulated ones
- Their use is highly recommended due to their improvements in radiation,
- Designed and manufactured according regulations EN61558-1
- Double isolation copper wire
- Ambient temperature of 40°C/104°F
- Magnetic core of grain-oriented silicon steel
- Superior isolation at 5M at 500 Vdc
- Primary Dielectric strength / superior secondary at 3 KV , 1min.
- The wide range of HR toroidal transformers goes from 8VA to 20KVA.
- Winding identification for colour references

### ELECTRICAL CHARACTERISTICS

POWER	Series	PRIMARY 230V 50/60Hz								Wheight (kg)
		SINGLE SECONDARY (--) V.								
		30V	35V	40V	60V	80V	100V			
500VA	REF	T 050 130	T 050 135	T 050 140	T 050 160	T 050 180	T 050 500			4.23
	Is-A	16.6	14.2	12.5	8.33	6.25	5			

POWER	Series	PRIMARY 230V 50/60Hz									Wheight (kg)
		DUAL SECONDARY 2 X(--) V.									
		2x15V	2x18V	2x22V	2x24V	2x30V	2x35V	2x40V	2x50V	2x55V	
500VA	REF	T 050 215	T 050 218	T 050 222	T 050 224	T 050 230	T 050 235	T 050 240	T 050 250	T 050 255	4.23
	Is-A	2x16.6	2x13.8	2x11.36	2x10.4	2x8.33	2x7.14	2x6.25	2x5.0	2x4.54	

### MECHANICAL INFORMATION



dim are mm