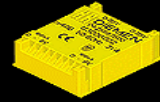




SWITCH MODE POWER SUPPLY

SMPS6020 20W



www.efiter.com
home>>products

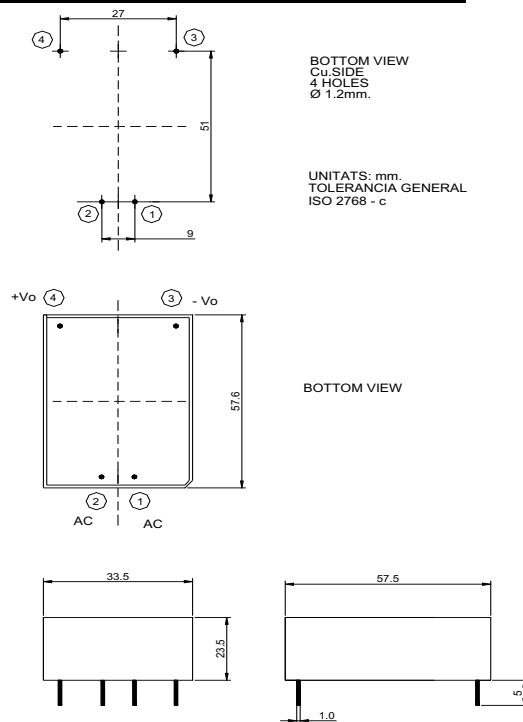
FEATURES

Input AC voltage range	85-265 vAC	Output short circuit prot.	Yes
Line Frequency	47-63Hz	Thermal protection	Yes
Input current(full load)	0.2A max at 85Vac-265Vac	Hi pot	4000Vac (5mA,3 seconds)
Input Power (no load)	≤0.25W at 230V	DC_Insulation resistance	100MΩ min at 500Vdc
Output ripple	≤ 200mV	Ouput line regulation.	±2%
Rise time output voltage	200mS at 80%	Output load regulation	±5%
Output overcurrent prot.	Yes		

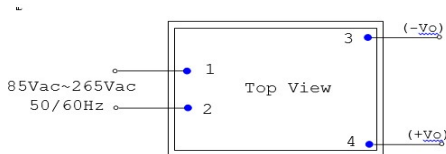
ELECTRICAL CHARACTERISTICS

REFERENCE	OUTPUT VOLTAGE(V)	OUTPUT COURRENT(A)
SMPS 6020 105	5	4
SMPS 6020 109	9	2.2
SMPS 6020 112	12	1.6
SMPS 6020 115	15	1.3
SMPS 6020 124	24	0.83

OUTPUT POWER (W)	20W
OPERATING AMBIENT (°C)	60 °C
OUTPUT REGULATION	±5%
EFICIENCY	≥ 75%



TECHNICAL INFORMATION



Directive 2015/863/EU

THERMAL CHARACTERISTICS	
Storage ambient temperature	T -30°C ~+85°C
Storage ambient humidity	10% ~ 95%
Operating ambient temperature	T -20°C ~+80°C
Operating ambient humidity	10% ~ 95%
Maximum working temperature	T -30°C ~+85°C
SAFETY	Acording to EN60950, EN603355, EN61558-2-16, EN61558-2-17, EN IC 238-1:2020
EMC	(Conducted and Radiated Emissions) Acording to EN55032, en55014
Immunity	Acording to EN61000-3-3, EN 61000-4-2, EN6100-4-3, EN61000-4-4, EN61000-4-5, EN6100-4-8, EN61000-4-11