



# COMMON MODE POWER LINE CHOKE

## HR 1923 SERIES



[www.efiter.com](http://www.efiter.com)

[home>>index](#)

According DIN EN 60938-2(VDE 0565-2-1):2008-02; EN 60938-2:1999+A1:2007

### FEATURES

Rated voltage 250VAC

Rated current 2,0A a 30A

Rated inductance 2.2 mH to 100mH

Turns ratio:N1:N2=1:1(+/- 2%)

Hi-Pot\_Pri\_Sec 1500vac/5mA/2sec

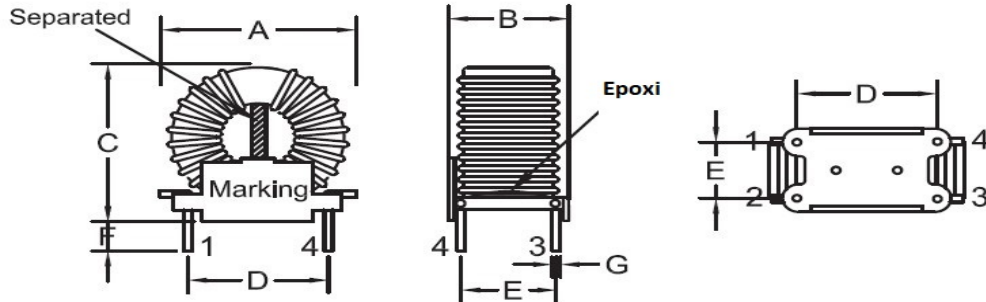
Operating temperature: -40°C to +105°C

All parts meet ROHS compliance

### ELECTRICAL CHARACTERISTICS

PART Number	Inductance (mH)	DC Resistance (Ω)typ	Rated current (A)
HR 1923 000	100	0.50	2.0
HR 1923 001	56	0.20	4.0
HR 1923 002	33	0.10	7.0
HR 1923 003	18	0.05	10.0
HR 1923 004	10	0.03	15.0
HR 1923 005	6.8	0.02	17.0
HR 1923 006	4.2	0.015	20.0
HR 1923 007	3.0	0.012	25.0
HR 1923 008	2.2	0.009	30.0

### TECHNICAL INFORMATION



Part number	A	B	C	D	E	F	G
HR 1923	52.0	27.8	58.0	38.0	22.8	4.0	1.2