



COMMON MODE POWER LINE CHOKE

HR 1922 SERIES



www.efiter.com

[home>>index](#)

According DIN EN 60938-2(VDE 0565-2-1):2008-02; EN 60938-2:1999+A1:2007

FEATURES

Rated voltage 250VAC

Rated current 4,0A a 30A

Rated inductance 1 mH to 33mH

Turns ratio:N1:N2=1:1(+/- 2%)

Hi-Pot_Pri_Sec 1500vac/5mA/2sec

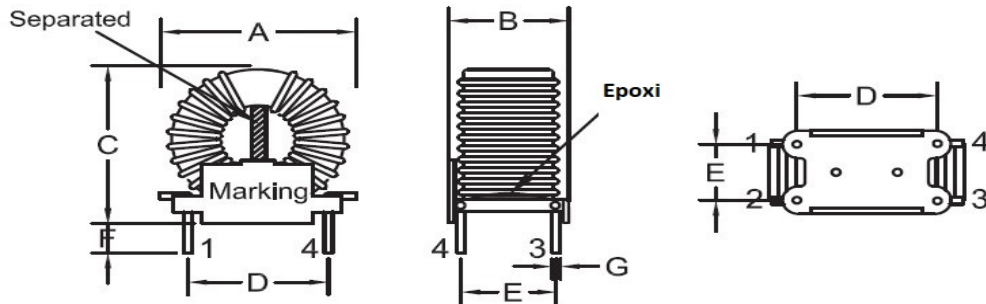
Operating temperature: -40°C to +105°C

All parts meet ROHS compliance

ELECTRICAL CHARACTERISTICS

PART Number	Inductance (mH)	DC Resistance (Ω)typ	Rated current (A)
HR 1922 000	33	0,12	4.0
HR 1922 001	22	0.08	5.0
HR 1922 002	15	0.052	6.0
HR 1922 003	10	0.035	7.0
HR 1922 004	6.8	0.028	8.0
HR 1922 005	4.7	0.022	10.0
HR 1922 006	3.3	0.015	15.0
HR 1922 007	2.2	0.0085	18.0
HR 1922 008	1.5	0.005	25.0
HR 1922 008	1.0	0.0075	30.0

TECHNICAL INFORMATION



Part number	A	B	C	D	E	F	G
HR 1922	44.7	22.8	42.0	35.5	17.8	3.0	1.2