



COMMON MODE POWER LINE CHOKE

HR 1921 SERIES



www.efer.com

[home>>index](#)

According DIN EN 60938-2(VDE 0565-2-1):2008-02; EN 60938-2:1999+A1:2007

FEATURES

Rated voltage 250VAC

Rated current 1,5A a 15A

Rated inductance 1.0 mH to 33mH

Turns ratio:N1:N2=1:1(+/- 2%)

Hi-Pot_Pri_Sec 1500vac/5mA/2sec

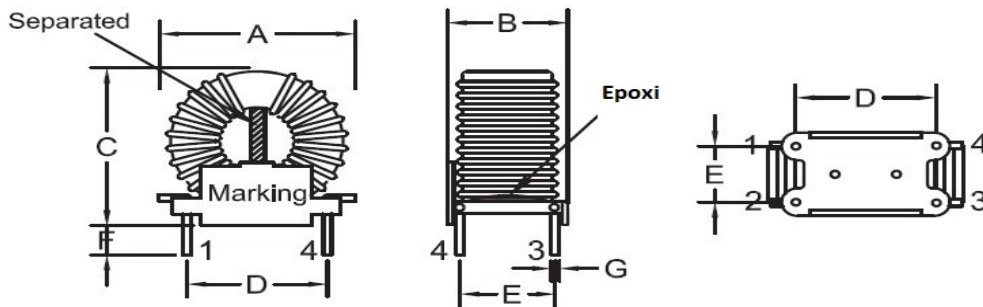
Operating temperature: -40°C to +105°C

All parts meet ROHS compliance

ELECTRICAL CHARACTERISTICS

PART Number	Inductance (mH)	DC Resistance (Ω)typ	Rated current (A)
HR 1921 000	33	0.25	1.5
HR 1921 001	25	0.15	2.0
HR 1921 002	15	0.10	2.5
HR 1921 003	10	0.06	3.0
HR 1921 004	6.8	0.04	4.0
HR 1921 005	3.3	0.025	5.0
HR 1921 006	2.2	0.010	9.0
HR 1921 007	1.0	0.006	15.0

TECHNICAL INFORMATION



Part number	A	B	C	D	E	F	G
HR 1921	35.0	20.3	33.5	22.8	15.2	3.0	1.2