



E96 Series (E96/35.7 E96/45.5 E96/59.5)

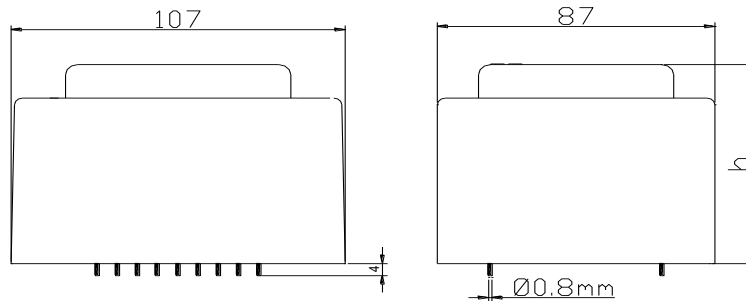
130/200VA - Ta70°B



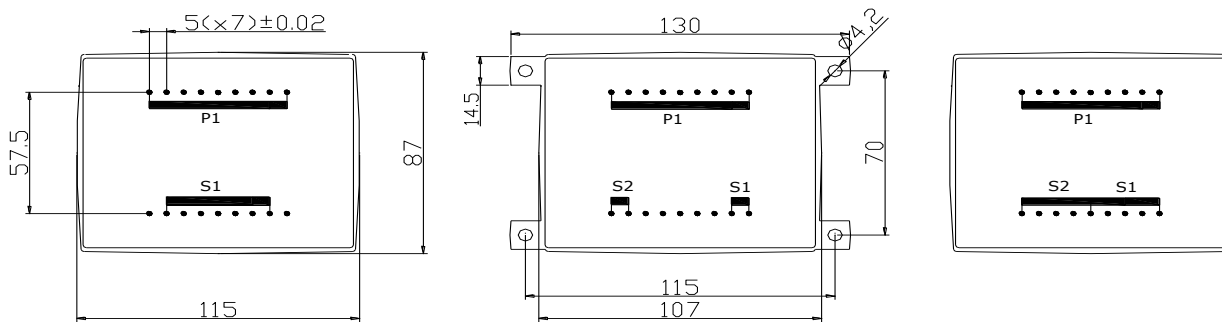
www.efiter.com
[home>>index](#)

ENCAPSULATED TRANSFORMERS

According EN61558, EN60590, EN60472, UL506, UL1585, UL5085 · External protection



Frame size	Out Power at 70°C	Heigh (h)	Weight (kg)
E9635	130VA	75,1mm	2,6
E9645	160VA	84,9mm	3,8
E9660	200VA	98,5mm	4,6



Custom-made models are available on request.

- * Out power up to 130VA to 200VA
- * Standard type cast housing
- * According ROHS regulation
- * High voltage resistance
- * Self-extinguishing cast housing and sealing material
- * 100% piece inspection

According EN61558, EN60590, EN60472, UL506, UL1585, UL5085 .