



E2006 (EI 20/6,1)

0,35VA - Ta⁷⁰B

weight - 25gr.

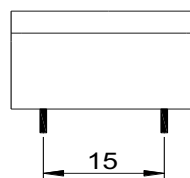
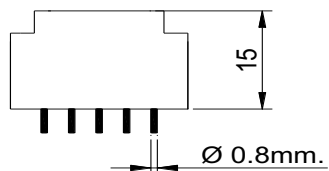


www.efiter.com

[home>>index](#)

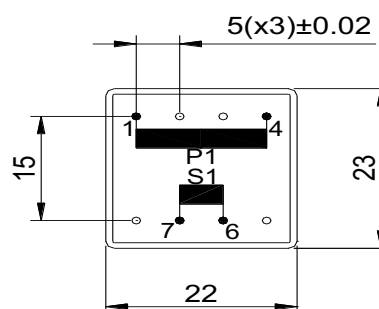
ENCAPSULATED TRANSFORMERS

According EN61558, EN60590, EN60472, UL506, UL1585, UL5085 · Short circuit proof



SINGLE SECONDARY, 0,35VA. Ta⁷⁰B

HR REFERENCE		Vo/Vsec=1,7 Vo -> Is=0 Vsec -> Isec=In		Protection
Prim. 230V	Prim. 115V	Vsec	Isec	
E2006064	E2006164	4,5V	77mA	Short circuit proof
E2006050	E2006150	6V	58mA	
E2006052	E2006152	7,5V	46mA	
E2006054	E2006154	9V	38mA	
E2006056	E2006156	12V	29mA	
E2006058	E2006158	15V	23mA	
E2006060	E2006160	18V	19mA	
E2006062	E2006162	24V	14mA	



DUAL SECONDARY, 0,35VA. Ta⁷⁰B

HR REFERENCE		Vo/Vsec=1,7 Vo -> Is=0 Vsec -> Isec=In		Protection
Prim. 230V	Prim. 115V	Vsec	Isec	
E2006065	E2006165	2x4,5V	2x38mA	Short circuit proof
E2006051	E2006151	2x6V	2x29mA	
E2006053	E2006153	2x7,5V	2x23mA	
E2006055	E2006155	2x9V	2x19mA	
E2006057	E2006159	2x12V	2x14mA	
E2006059	E2006159	2x15V	2x11mA	
E2006061	E2006161	2x18V	2x9mA	
E2006063	E2006163	2x24V	2x7mA	

